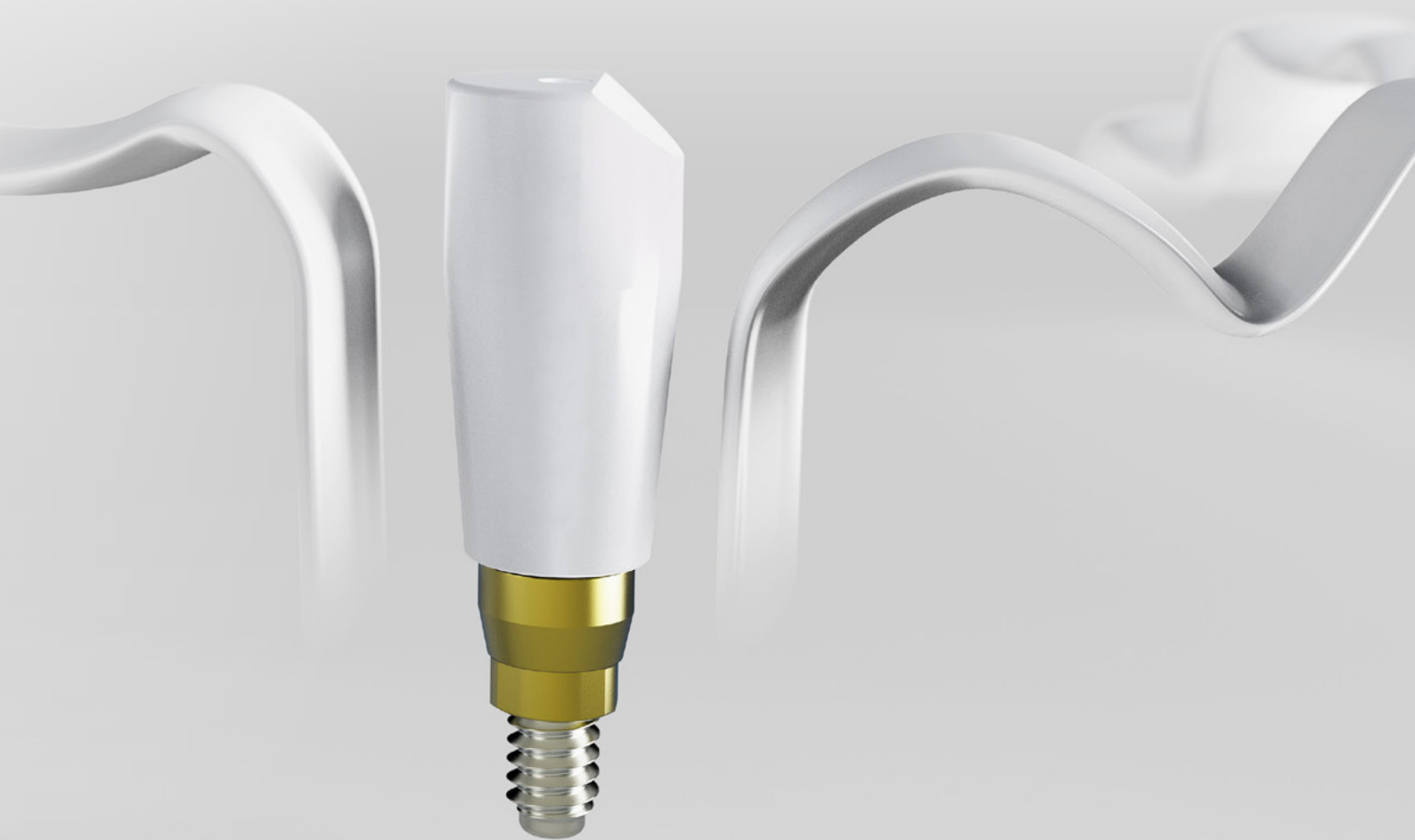


**PRODUCT
CATALOG**



2022

Elos Accurate®

IO Scan Body

Model Analogs

Model Analog Tool

Hybrid Base



Platform

Implant System

BIO-HORIZONS

CAMLOG

DENTSPY SIRONA







NEOSS

NOBEL BIOCARE

STRAUMANN

ZIMMER BIOMET

		IO	PMA	MA	AT	HBE
BioHorizons Internal	3.0	IO 11A-A	PMA-BHI30-1			
	3.5	IO 11A-B	PMA-BHI35-1			
	4.5	IO 11A-C	PMA-BHI45-1			
	5.7	IO 11A-D	PMA-BHI57-1			
BioHorizons Multi-Unit Abutment	4.5	IO 11B-A	PMA-BHM45-1			
Camlog®	3.3	IO 9A-A	PMA-CAS33-1			
	3.8	IO 9A-B	PMA-CAS38-1			
	4.3	IO 9A-C	PMA-CAS43-1			
	5.0	IO9A-D	PMA-CAS50-1			
	6.0	IO9A-D	PMA-CAS60-1			
Camlog® Bar Abutment	3.3-4.3	IO 9B-A	PMA-CBA43-1	MA-CBA43-1	AT-16-1	
Ankylos®	3.5-7.0	IO 8B-A	PMA-DAN35/70-1	MA-DAN35/70-1	AT-18-1	
Ankylos Balance Base Abutment	BB NP	IO 8C-A	PMA-DBA40-1	MA-DBA40-1	AT-16-1	
Astra Tech Implant System	3.0	IO 3A-A	PMA-ATO30-1	MA-ATO30-1	AT-14-1	HBE-ATO30-1
	3.5/4.0	IO 3A-B	PMA-ATO35-1	MA-ATO35-1	AT-16-1	HBE-ATO35/40-1
	4.5/5.0	IO 3A-C	PMA-ATO45-1	MA-ATO45-1	AT-20-1	HBE-ATO45/50-1
Astra Tech UniAbutment	20°	IO 3D-B	PMA-ATU20-1	MA-ATU20-1	AT-14-1	
	45°	IO 3D-C	PMA-ATU45-1	MA-ATU45-1		
Astra Tech Implant System EV	3.0	IO 3B-A	PMA-ATE30-1	MA-ATE30-1	AT-14-1	HBE-ATE30-1
	3.6	IO 3B-B	PMA-ATE36-1	MA-ATE36-1	AT-16-1	HBE-ATE36-1
	4.2	IO 3B-C	PMA-ATE42-1	MA-ATE42-1	AT-18-1	HBE-ATE42-1
	4.8	IO 3B-D	PMA-ATE48-1	MA-ATE48-1	AT-20-1	HBE-ATE48-1
	5.4	IO 3B-E	PMA-ATE54-1	MA-ATE54-1		HBE-ATE54-1
Astra Tech Implant System Profile EV	4.2	IO 3C-A	PMA-ATE42P-1	MA-ATE42P-1	AT-18-1	
	4.8	IO 3C-B	PMA-ATE48P-1	MA-ATE48P-1	AT-20-1	
Astra Tech Implant System UniAbutment EV	UA33°	IO 3D-A	PMA-AUE33-1	MA-AUE33-1	AT-18-1	
Xive®	3.0	IO 8A-A	PMA-DXI30-1	MA-DXI30-1	AT-14-1	
	3.4	IO 8A-B	PMA-DXI34-1	MA-DXI34-1		
	3.8	IO 8A-C	PMA-DXI38-1	MA-DXI38-1	AT-16-1	
	4.5	IO 8A-D	PMA-DXI45-1	MA-DXI45-1		
	5.5	IO 8A-D	PMA-DXI55-1			
Neoss® Access Abutment		IO 1B-A	PMA-NAC40-1	MA-NAC40-1	AT-20-1	
Neoss Implant System	3.25	IO 1A-B	PMA-NIS33-1	MA-NIS33-1	AT-16-1	
	3.5-5.5	IO 1A-A	PMA-NIS35/55-1	MA-NIS35/55-1	AT-20-1	
Brånemark System	3.3/3.5 NP	IO 6A-A	PMA-BRA35-1	MA-BRA35-1	AT-16-1	HBE-BRA35-1
	3.75/4.0 RP	IO 6A-B	PMA-BRA41-1	MA-BRA41-1	AT-20-1	HBE-BRA41-1
	5.0/5.5 WP	IO 6A-C	PMA-BRA51-1	MA-BRA51-1	AT-25-1	HBE-BRA51-1
Nobel Biocare® Conical Connection and NobelActive®	3.0	IO 2B-D / SA	PMA-NBA30-1	MA-NBA30-1	AT-14-1	HBE-NBA30-1
	3.5/3.75 NP	IO 2B-A / SA	PMA-NBA35-1	MA-NBA35-1	AT-16-1	HBE-NBA35-1
	4.3/5.0 RP	IO 2B-B / SA	PMA-NBA43-1	MA-NBA43-1	AT-20-1	HBE-NBA43-1
	5.5 WP	IO 2B-C / SA	PMA-NBA60-1	MA-NBA60-1		HBE-NBA60-1
Nobel Biocare® Multi-Unit Abutment	NP/RP	IO 2C-A	PMA-MUA45-1	MA-MUA45-1	AT-14-1	
	WP	IO 2C-B	PMA-MUA60-1	MA-MUA60-1	AT-18-1	
NobelReplace®	3.5 NP	IO 2A-A	PMA-NBR35-1	MA-NBR35-1	AT-18-1	HBE-NBR35-1
	4.3 RP	IO 2A-B	PMA-NBR43-1	MA-NBR43-1		HBE-NBR43-1
	5.0 WP	IO 2A-C	PMA-NBR50-1	MA-NBR50-1	AT-20-1	HBE-NBR50-1
	6.0	IO 2A-D	PMA-NBR60-1	MA-NBR60-1		HBE-NBR60-1
Straumann® Bone Level	3.3 NC	IO 4A-A	PMA-SBO33-1			HBE-SBO33-1
	4.1/4.8 RC	IO 4A-B	PMA-SBO41-1			HBE-SBO41/48-1
Straumann® Screw-retained Abutment	3.5	IO 4D-A	PMA-SSA35-1	MA-SSA35-1	AT-14-1	
	4.6	IO 4D-B	PMA-SSA46-1	MA-SSA46-1		
Straumann® Standard and Standard Plus	3.5 NNC	IO 4C-A				
	4.8 RN	IO 4B-A	PMA-SSY48-1	MA-SSY48-1	AT-20-1	HBE-SSY48-1
	6.5 WN	IO 4B-B	PMA-SSY65-1			HBE-SSY65-1
Certain® Internal Connection	3.4	IO 7B-A	PMA-BCE34-1	MA-BCE34-1	AT-16-1	HBE-BCE34-1
	4.1	IO 7B-B	PMA-BCE41-1	MA-BCE41-1		HBE-BCE41-1
	5.0		PMA-BCE50-1	MA-BCE50-1		HBE-BCE50-1
	6.0		PMA-BCE60-1	MA-BCE60-1		HBE-BCE60-1
External Hex Connection	3.4	IO 7A-A	PMA-BEH34-1	MA-BEH34-1	AT-20-1	
	4.1	IO 7A-B	PMA-BEH41-1	MA-BEH41-1		
	5.0		PMA-BEH50-1	MA-BEH50-1		
6.0		PMA-BEH60-1	MA-BEH60-1			
Tapered Screw-Vent® Implant	3.5	IO 5A-A	PMA-ZSV35-1	MA-ZSV35-1	AT-18-1	HBE-ZSV35-1
	4.5	IO 5A-B	PMA-ZSV45-1	MA-ZSV45-1		HBE-ZSV45-1
	5.7	IO 5A-C	PMA-ZSV57-1	MA-ZSV57-1		HBE-ZSV57-1

Engaging	Hybrid Base Non-Engaging		Prosthetic screw for straight channels		Prosthetic screw - hexalobular	Torque
				Screwdriver from implant manufacturer		
HBE-H	HBN	HBN-H	AS	Screwdriver:	AS hexalobular	Ncm:
	HBN-CBA43-1				AS-CBAM1604A-1	15 Ncm
	HBN-DBA40-1	HBN-DBA40H-1	AS-DBAM1605POS		AS-DBAM1605A-1	10 Ncm
HBE-ATO35/40H-1			AS-ATOM148POS	"0.050" Hex screwdriver"	AS-ATOM1408A-1	15 Ncm
HBE-ATO45/50H-1			AS-ATOM168POS		AS-ATOM1608A-1	20 Ncm
			AS-ATOM2010POS		AS-ATOM2010A-1	25 Ncm
	HBN-ATU20-1	HBN-ATU20H-1			AS-ATUM1405A-1	15 Ncm
	HBN-ATU45-1					
HBE-ATE36H-1			AS-ATEM148POS	"0.050" Hex screwdriver"	AS-ATEM1408A-1	25 Ncm
HBE-ATE42H-1			AS-ATEM168POS		AS-ATEM1608A-1	
HBE-ATE48H-1			AS-ATEM188POS		AS-ATEM1808A-1	
			AS-ATEM208POS		AS-ATEM2008A-1	
	HBN-AUE33-1	HBN-AUE33H-1			AS-AUEM1805A-1	15 Ncm
HBE-BRA41H-1	HBN-BRA35-1		AS-BRAM167POS	Nobel Biocare Unigrip	AS-BRAM1607A-1	35 Ncm
	HBN-BRA41-1	HBN-BRA41H-1	AS-BRAM207POS		AS-BRAM2007A-1	
	HBN-BRA51-1		AS-BRAM257POS		AS-BRAM2507A-1	
			AS-NBAM1407POS	Nobel Biocare Unigrip	AS-NBAM1407A-1	15 Ncm
HBE-NBA35H-1	HBN-NBA35-1	HBN-NBA35H-1	AS-NBAM168POS		AS-NBAM1608A-1	
HBE-NBA43H-1	HBN-NBA43/50-1	HBN-NBA43/50H-1	AS-NBAM207POS		AS-NBAM2007A-1	35 Ncm
HBE-NBA60H-1	HBN-NBA60-1					
	HBN-MUA45-1	HBN-MUA45H-1	AS-MUAM1403POS		AS-MUAM1403A-1	15 Ncm
	HBN-MUA60-1		AS-MUAM1804POS		AS-MUAM1804A-1	
HBE-NBR35H-1	HBN-NBR35-1	HBN-NBR35H-1	AS-NBRM1808POS	Nobel Biocare Unigrip	AS-NBRM1808A-1	35 Ncm
HBE-NBR43H-1	HBN-NBR43-1	HBN-NBR43H-1				
	HBN-NBR50-1		AS-NBRM2010POS		AS-NBRM2010A-1	
	HBN-NBR60-1					
HBE-SBO33H-1	HBN-SBO33-1		AS-SBOM1608POS	SCS screwdriver	AS-SBOM1608A-1	35 Ncm
HBE-SBO41/48H-1	HBN-SBO41/48-1					
	HBN-SSA35-1	HBN-SSA35H-1			AS-SSAM1404A-1	15 Ncm
	HBN-SSA46-1	HBN-SSA46H-1				
HBE-SSY48H-1	HBN-SSY48-1	HBN-SSY48H-1	AS-SSYM207POS	SCS screwdriver	AS-SSYM2007A-1	35 Ncm
HBE-SSY65H-1	HBN-SSY65-1					
			AS-BCEM168POS	"0.050" (1.25 mm) Hex screwdriver"	AS-BCEM1608A-1	20 Ncm
	HBN-ZSV35-1		AS-ZSVM1808POS	"1.25 mm Hex screwdriver"	AS-ZSVM1808A-1	30 Ncm
	HBN-ZSV45-1					
	HBN-ZSV57-1					

BIO-HORIZONS

CAMLOG

DENTSPLY SIRONA

NEOSS

NOBEL BIOCARE

STRAUMANN

ZIMMER BIOMET



Elos Accurate® Hybrid Base H™

The Elos Accurate product range is expanded with two new products

The Ti-bases of Elos Medtech are called Hybrid Bases and are designed taking both human biology and material characteristics into consideration. The implant design has been carefully examined, and with respect for soft tissue management, an anatomical design has been developed.

Two new hybrid bases are now available:

NEW



New chimney height!

Elos Accurate® Hybrid Base™
Engaging

- ▶ New higher chimney height. The design has evolved using high strength and flexibility, striving for successful esthetic results and an optimized emergence profile.

NEW

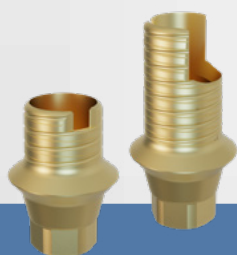


Now also a cylindrical version!

Elos Accurate® Hybrid Base™
Non-Engaging

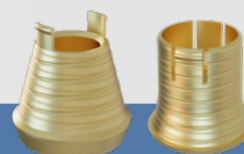
- ▶ A more cylindrical and slightly higher variant

Now choose between four different hybrid bases



Elos Accurate® Hybrid Base™
Engaging

- ▶ Customized abutments for **cemented crowns**
- ▶ Customized abutments for **cemented bridges**
- ▶ **Screw-retained crowns**



Elos Accurate® Hybrid Base™
Non-Engaging

- ▶ **Screw-retained bridges**
In many cases a combination of the two types of non-engaging hybrid bases is preferred. The combination of the two types, the cylindrically shaped one and the higher one, contributes to a significantly stronger bonding lock.

Table of contents

BioHorizons



Dentsply Sirona

Neoss

Camlog



Nobel Biocare

Zimmer Biomet



Straumann

COMPATIBLE TO:

BioHorizons® Internal**Elos Accurate® Scan Body**

Material: Titanium seating and PEEK in scanning area for optimal scanning results without spraying.

Screwdriver: C18512, C13485 or C13048. *See last pages.*

Torque Value: Hand-torque until stable. No more than 5 Ncm.

3.0



IO 11A-A

3.5



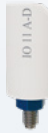
IO 11A-B

4.5



IO 11A-C

5.7



IO 11A-D

Elos Accurate® Analog for Printed Models

1-piece analog for printed model.

Analog tools: PMA-AIT-1, PMA-AIP-2 and PMA-AIS-5. *See last pages.*



PMA-BHI30-1



PMA-BHI35-1



PMA-BHI45-1



PMA-BHI57-1

COMPATIBLE TO:

BioHorizons Multi-Unit Abutment

4.5

Elos Accurate® Scan Body

Material: Titanium seating and PEEK in scanning area for optimal scanning results without spraying.

Screwdriver: C18512, C13485 or C13048. *See last pages.*

Torque Value: Hand-torque until stable. No more than 5 Ncm.



IO 11B-A

Elos Accurate® Analog for Printed Models

1-piece analog for printed model.

Analog tools: PMA-AIT-1, PMA-AIP-2 and PMA-AIS-5. *See last pages.*



PMA-BHM45-1

COMPATIBLE TO:

Camlog®

Elos Accurate® Scan Body

Material: Titanium seating and PEEK in scanning area for optimal scanning results without spraying.

Screwdriver: C18512, C13485 or C13048. *See last pages.*

Torque Value: Hand-torque until stable. No more than 5 Ncm.

3.3



IO 9A-A

3.8



IO 9A-B

4.3



IO 9A-C

5.0



IO 9A-D

Elos Accurate® Analog for Printed Models

1-piece analog for printed model.

Analog tools: PMA-AIT-1, PMA-AIP-2 and PMA-AIS-5. *See last pages.*



PMA-CAS33-1



PMA-CAS38-1



PMA-CAS43-1



PMA-CAS50-1

COMPATIBLE TO:

Camlog® Bar Abutment

3.3

Elos Accurate® Scan Body

Material: Titanium seating and PEEK in scanning area for optimal scanning results without spraying.

Screwdriver: C18512, C13485 or C13048. *See last pages.*

Torque Value: Hand-torque until stable. No more than 5 Ncm.



IO 9B-A

Elos Accurate® Analog for Printed Models

1-piece analog for printed model.

Analog tools: PMA-AIT-1, PMA-AIP-2 and PMA-AIS-5. *See last pages.*



PMA-CBA43-1

Elos Accurate® Model Analog

1-piece analog for printed, milled or plaster model.

Analog tool: AT-16-1, *see last pages.*



MA-CBA43-1

Elos Accurate® Hybrid Base™ Non-Engaging

Titanium Hybrid Base for screw-retained bridge restorations.



Torque Value: 15 Ncm



Gingival height 1.5 mm

Margin diameter 5.0 mm

Chimney height 4.1 mm

HBN-CBA43-1

Elos Accurate® Hexalobular Prosthetic Screw

Prosthetic screw with M1.6 thread.

Screwdriver: PS-AH18-1, PS-AH26-1 or PS-AH34-1, *see last pages.*



Torque Value: 15 Ncm



AS-CBAM1604A-1



COMPATIBLE TO:

Ankylos®

3.5-7.0

Elos Accurate® Scan Body

Material: Titanium seating and PEEK in scanning area for optimal scanning results without spraying.

Screwdriver: C18512, C13485 or C13048. *See last pages.*

Torque Value: Hand-torque until stable. No more than 5 Ncm.

Previously marked with SA.



IO 8B-A

Elos Accurate® Analog for Printed Models

1-piece analog for printed model.

Analog tools: PMA-AIT-1, PMA-AIP-2 and PMA-AIS-5. *See last pages.*



PMA-DAN35/70-1

Elos Accurate® Model Analog

1-piece analog for printed, milled or plaster model.

Analog tool: AT-18-1, *see last pages.*



MA-DAN35/70-1

COMPATIBLE TO:

Ankylos® Balance Base Abutment

BB NP

Elos Accurate® Scan Body

Material: Titanium seating and PEEK in scanning area for optimal scanning results without spraying.

Screwdriver: C18512, C13485 or C13048. *See last pages.*

Torque Value: Hand-torque until stable. No more than 5 Ncm.



IO 8C-A

Elos Accurate® Analog for Printed Models

1-piece analog for printed model.

Analog tools: PMA-AIT-1, PMA-AIP-2 and PMA-AIS-5. *See last pages.*



PMA-DBA40-1

Elos Accurate® Model Analog

1-piece analog for printed, milled or plaster model.

Analog tool: AT-16-1, *see last pages*



MA-DBA40-1

Elos Accurate® Hybrid Base™ Non-Engaging

Titanium Hybrid Base for screw-retained bridge restorations.



Torque Value: 10 Ncm



Gingival height	0.6 mm
Margin diameter	5.0 mm
Chimney height	4.1 mm

HBN-DBA40-1

Elos Accurate® Hybrid Base H™ Non-Engaging

Titanium Hybrid Base for screw-retained bridge restorations.



Torque Value: 10 Ncm



Gingival height	0.3 mm
Margin diameter	4.4 mm
Chimney height	4.5 mm

HBN-DBA40H-1

Elos Prosthetic Screw

Prosthetic screw with M1.6 thread.

Screwdriver: 1.0 mm Hex screwdriver



Torque Value: 10 Ncm



AS-DBAM1605POS

Elos Accurate® Hexalobular Prosthetic Screw

Prosthetic screw with M1.6 thread.

Screwdriver: PS-AH18-1, PS-AH26-1 or PS-AH34-1, *see last pages.*



Torque Value: 10 Ncm



AS-DBAM1605A-1



COMPATIBLE TO:

Astra Tech Implant System

Elos Accurate® Scan Body

Material: Titanium seating and PEEK in scanning area for optimal scanning results without spraying.

Screwdriver: C18512, C13485 or C13048. *See last pages.*

Torque Value: Hand-torque until stable. No more than 5 Ncm.

Previously marked with SA.

3.0



IO 3A-A

3.5 / 4.0



IO 3A-B

4.5 / 5.0



IO 3A-C

Elos Accurate® Analog for Printed Models

1-piece analog for printed model.

Analog tools: PMA-AIT-1, PMA-AIP-2 and PMA-AIS-5. *See last pages.*



PMA-ATO30-1



PMA-ATO35-1



PMA-ATO45-1

Elos Accurate® Model Analog

1-piece analog for printed, milled or plaster model.

Analog tool: AT-14-1, AT-16-1, AT-20-1, *see last pages*



MA-ATO30-1



MA-ATO35-1



MA-ATO45-1

Elos Accurate® Hybrid Base™ Engaging

Titanium Hybrid Base for screw-retained single restorations and cement-retained single and bridge restorations.

Torque Value:

Ø3.0: 15 Ncm,
Ø3.5/4.0: 20 Ncm,
Ø4.5/5.0: 25 Ncm



Gingival height	0.9 mm	0.5 mm	0.7 mm
Margin diameter	3.4 mm	3.7 mm	4.5 mm
Chimney height	3.0 mm	3.0 mm	3.0 mm

HBE-ATO30-1

HBE-ATO35/40-1

HBE-ATO45/50-1

Elos Accurate® Hybrid Base H™ Engaging

Titanium Hybrid Base for screw-retained single restorations and cement-retained single and bridge restorations.

Torque Value:

Ø3.0: 15 Ncm,
Ø3.5/4.0: 20 Ncm,
Ø4.5/5.0: 25 Ncm



Gingival height	0.7 mm	0.9 mm
Margin diameter	3.7 mm	4.5 mm
Chimney height	5.5 mm	5.5 mm

HBE-ATO35/40H-1

HBE-ATO45/50H-1



Must be mounted with Elos Prosthetic Screw or Elos Accurate Hexalobular Prosthetic Screw

COMPATIBLE TO:

Astra Tech Implant System

3.0

3.5 / 4.0

4.5 / 5.0

Elos Prosthetic Screw

Prosthetic screw with M1.4, M1.6 or M2 thread.

Screwdriver: 0.050" Hex screwdriver

Torque Value:

Ø3.0: 15 Ncm,
Ø3.5/4.0: 20 Ncm,
Ø4.5/5.0: 25 Ncm



AS-ATOM148POS



AS-ATOM168POS



AS-ATOM2010POS

Elos Accurate® Hexalobular Prosthetic Screw

Prosthetic screw with M1.4, M1.6 or M2 thread.

Screwdriver: PS-AH18-1, PS-AH26-1 or PS-AH34-1, *see last pages.*

Torque Value:

Ø3.0: 15 Ncm,
Ø3.5/4.0: 20 Ncm,
Ø4.5/5.0: 25 Ncm



AS-ATOM1408A-1



AS-ATOM1608A-1



AS-ATOM2010A-1

COMPATIBLE TO:

Astra Tech Implant System UniAbutment

Elos Accurate® Scan Body

Material: Titanium seating and PEEK in scanning area for optimal scanning results without spraying.

Screwdriver: C18512, C13485 or C13048. *See last pages.*

Torque Value: Hand-torque until stable. No more than 5 Ncm.

20°



IO 3D-B

45°



IO 3D-C

Elos Accurate® Analog for Printed Models

1-piece analog for printed model.

Analog tools: PMA-AIT-1, PMA-AIP-2 and PMA-AIS-5. *See last pages.*



PMA-ATU20-1



PMA-ATU45-1

Elos Accurate® Model Analog

1-piece analog for printed, milled or plaster model.

Analog tool: AT-14-1, *see last pages*




MA-ATU20-1



MA-ATU45-1

Elos Accurate® Hybrid Base™ Non-Engaging

Titanium Hybrid Base for screw-retained bridge restorations. 

Torque Value: 15 Ncm




HBN-ATU20-1



HBN-ATU45-1

Gingival height	1.5 mm	1.0 mm
Margin diameter	5.0 mm	5.0 mm
Chimney height	4.1 mm	4.1 mm

Elos Accurate® Hybrid Base H™ Non-Engaging

Titanium Hybrid Base for screw-retained bridge restorations. 

Torque Value: 15 Ncm



HBN-ATU20H-1

Gingival height	0.3 mm
Margin diameter	4.0 mm
Chimney height	4.5 mm

Elos Accurate® Hexalobular Prosthetic Screw

Prosthetic screw with M1.4 thread. 

Screwdriver: PS-AH18-1, PS-AH26-1 or PS-AH34-1, *see last pages.*

Torque Value: 15 Ncm



AS-ATUM1405A-1



AS-ATUM1405A-1



Must be mounted with Elos Prosthetic Screw or Elos Accurate Hexalobular Prosthetic Screw

COMPATIBLE TO:

Astra Tech Implant System EV

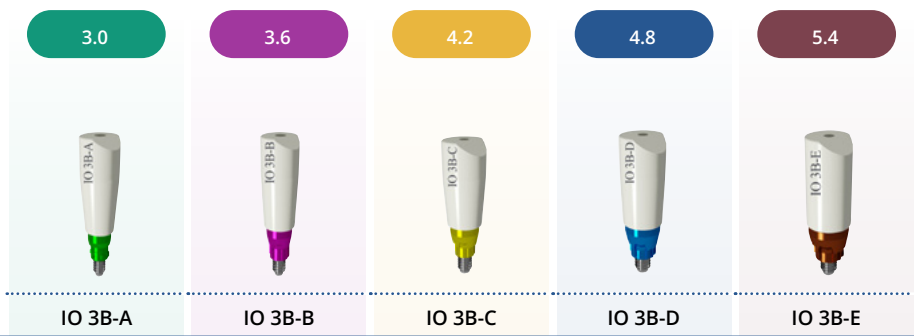
Elos Accurate® Scan Body

Material: Titanium seating and PEEK in scanning area for optimal scanning results without spraying.

Screwdriver: C18512, C13485 or C13048. *See last pages.*

Torque Value: Hand-torque until stable. No more than 5 Ncm.

Previously marked with SA.



Elos Accurate® Analog for Printed Models

1-piece analog for printed model.

Analog tools: PMA-AIT-1, PMA-AIP-2 and PMA-AIS-5. *See last pages.*



Elos Accurate® Model Analog

1-piece analog for printed, milled or plaster model.

Analog tool: AT-14-1, AT-16-1 and AT-18-1. *See last pages*



Elos Accurate® Hybrid Base™ Engaging

Titanium Hybrid Base for screw-retained single restorations and cement-retained single and bridge restorations.

Torque Value: 25 Ncm



Gingival height	1.0 mm	1.0 mm	1.0 mm	1.0 mm	1.0 mm
Margin diameter	3.7 mm	3.7 mm	4.5 mm	4.5 mm	5.0 mm
Chimney height	3.0 mm	3.0 mm	3.0 mm	3.0 mm	3.0 mm
	HBE-ATE30-1	HBE-ATE36-1	HBE-ATE42-1	HBE-ATE48-1	HBE-ATE54-1

Elos Accurate® Hybrid Base H™ Engaging

Titanium Hybrid Base for screw-retained single restorations and cement-retained single and bridge restorations.

Torque Value: 25 Ncm



Gingival height	1.0 mm	1.0 mm	1.0 mm
Margin diameter	3.7 mm	4.5 mm	4.5 mm
Chimney height	5.5 mm	3.0 mm	3.0 mm
	HBE-ATE36H-1	HBE-ATE42H-1	HBE-ATE48H-1



COMPATIBLE TO:

Astra Tech Implant System EV

3.0

3.6

4.2

4.8

5.4

Elos Prosthetic Screw

Prosthetic screw with M1.4, M1.6 and M1.8 thread.

Screwdriver: 0.050" Hex screwdriver

Torque Value: 25 Ncm



AS-AEM148POS

AS-AEM168POS

AS-AEM188POS

AS-AEM208POS

AS-AEM208POS

Elos Accurate® Hexalobular Prosthetic Screw

Prosthetic screw with M1.4, M1.6 and M1.8 thread.

Screwdriver: PS-AH18-1, PS-AH26-1 or PS-AH34-1, see last pages.

Torque Value: 25 Ncm



AS-AEM1408A-1

AS-AEM1608A-1

AS-AEM1808A-1

AS-AEM2008A-1

AS-AEM2008A-1

COMPATIBLE TO:

Astra Tech Implant System Profile EV

Elos Accurate® Scan Body

Material: Titanium seating and PEEK in scanning area for optimal scanning results without spraying.

Screwdriver: C18512, C13485 or C13048. *See last pages.*

Torque Value: Hand-torque until stable. No more than 5 Ncm.

Previously marked with SA.

4.2



IO 3C-A

5.4



IO 3C-B

Elos Accurate® Analog for Printed Models

1-piece analog for printed model.

Analog tools: PMA-AIT-1, PMA-AIP-2 and PMA-AIS-5. *See last pages.*



PMA-ATE42P-1



PMA-ATE48P-1

Elos Accurate® Model Analog

1-piece analog for printed, milled or plaster model.

Analog tool: AT-18-1 and AT-20-1, *see last pages.*



MA-ATE42P-1



MA-ATE48P-1

COMPATIBLE TO:

Astra Tech Implant System UniAbutment EV

UA 33°

Elos Accurate® Scan Body

Material: Titanium seating and PEEK in scanning area for optimal scanning results without spraying.

Screwdriver: C18512, C13485 or C13048. *See last pages.*

Torque Value: Hand-torque until stable. No more than 5 Ncm.



IO 3D-A

Elos Accurate® Analog for Printed Models

1-piece analog for printed model.

Analog tools: PMA-AIT-1, PMA-AIP-2 and PMA-AIS-5. *See last pages.*



PMA-AUE33-1

Elos Accurate® Model Analog

1-piece analog for printed, milled or plaster model.

Analog tool: AT-18-1, *see last pages*



MA-AUE33-1

Elos Accurate® Hybrid Base™ Non-Engaging

Titanium Hybrid Base screw for screw-retained bridge restorations.

Torque Value: 15 Ncm



Gingival height	1.0 mm
Margin diameter	5.0 mm
Chimney height	4.1 mm

HBN-AUE33-1

Elos Accurate® Hybrid Base H™ Non-Engaging

Titanium Hybrid Base for screw-retained bridge restorations.

Torque Value: 15 Ncm



Gingival height	0.3 mm
Margin diameter	4.1 mm
Chimney height	4.5 mm

HBN-AUE33H-1

Elos Accurate® Hexalobular Prosthetic Screw

Prosthetic screw with M1.8 thread.

Screwdriver: PS-AH18-1, PS-AH26-1 or PS-AH34-1, *see last pages.*

Torque Value: 15 Ncm



AS-AUEM1805A-1



Must be mounted with Elos Prosthetic Screw or Elos Accurate Hexalobular Prosthetic Screw

COMPATIBLE TO:

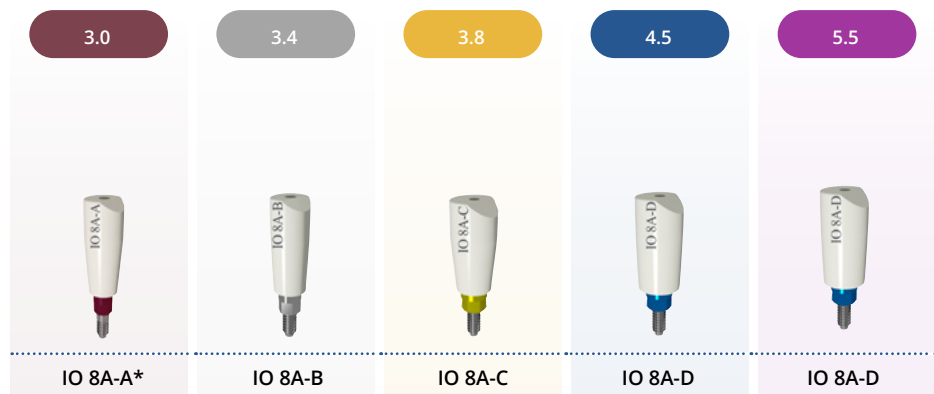
Xive®**Elos Accurate® Scan Body**

Material: Titanium seating and PEEK in scanning area for optimal scanning results without spraying.

Screwdriver: C18512, C13485 or C13048. *See last pages.*

Torque Value: Hand-torque until stable. No more than 5 Ncm.

* IO 8A-A used to be purple.

**Elos Accurate® Analog for Printed Models**

1-piece analog for printed model.

Analog tools: PMA-AIT-1, PMA-AIP-2 and PMA-AIS-5. *See last pages.*

**Elos Accurate® Model Analog**

1-piece analog for printed, milled or plaster model.

Analog tool: AT-14-1 for 3.0 and AT-16-1 for 3.4-4.5. *See last pages.*



COMPATIBLE TO:

Neoss®

Access Abutment

Implant System

Elos Accurate® Scan Body

Material: Titanium seating and PEEK in scanning area for optimal scanning results without spraying.

Screwdriver: C18512, C13485 or C13048. *See last pages.*

Torque Value: Hand-torque until stable. No more than 5 Ncm.

		3.25	3.5 - 5.5
			
	IO 1B-A	IO 1A-B	IO 1A-A
			
	PMA-NAC40-1	PMA-NIS33-1	PMA-NIS35/55-1
			
	MA-NAC40-1	MA-NIS33-1	MA-NIS35/55-1

Elos Accurate® Analog for Printed Models

1-piece analog for printed model.

Analog tools: PMA-AIT-1, PMA-AIP-2 and PMA-AIS-5. *See last pages.*

Elos Accurate® Model Analog

1-piece analog for printed, milled or plaster model.

Analog tool: AT-16-1 for $\varnothing 3.25$ and AT-20-1 for $\varnothing 3.5-5.5$. *See last pages.*

COMPATIBLE TO:

Brånemark System

Elos Accurate® Scan Body

Material: Titanium seating and PEEK in scanning area for optimal scanning results without spraying.

Screwdriver: C18512, C13485 or C13048. *See last pages.*

Torque Value: Hand-torque until stable. No more than 5 Ncm.

Elos Accurate® Analog for Printed Models

1-piece analog for printed model.

Analog tools: PMA-AIT-1, PMA-AIP-2 and PMA-AIS-5. *See last pages.*

Elos Accurate® Model Analog

1-piece analog for printed, milled or plaster model.

Analog tool: AT-16-1 for NP, AT-20-1 for RP and AT-25-1 for WP. *See last pages.*

MA-BRA35-1 and MA-BRA41-1 were previously anodized to pink and blue

Elos Accurate® Hybrid Base™ Engaging

Titanium Hybrid Base for screw-retained single restorations and cement-retained single and bridge restorations.

Torque Value: 35 Ncm



	NP	RP	WP
	IO 6A-A	IO 6A-B	IO 6A-C
	PMA-BRA35-1	PMA-BRA41-1	PMA-BRA51-1
	MA-BRA35-1	MA-BRA41-1	MA-BRA51-1
Gingival height	0.9 mm	0.9 mm	0.7 mm
Margin diameter	3.7 mm	4.5 mm	4.5 mm
Chimney height	3.0 mm	3.0 mm	3.0 mm
	HBE-BRA35-1	HBE-BRA41-1	HBE-BRA51-1

Elos Accurate® Hybrid Base H™ Engaging

Titanium Hybrid Base for screw-retained single restorations and cement-retained single and bridge restorations.

Torque Value: 35 Ncm



Gingival height	0.75 mm
Margin diameter	4.5 mm
Chimney height	5.5 mm

HBE-BRA41H-1

Elos Accurate® Hybrid Base™ Non-Engaging

Titanium Hybrid Base screw for screw-retained bridge restorations.

Torque Value: 35 Ncm



Gingival height	1.8 mm	1.0 mm	1.0 mm
Margin diameter	5.0 mm	5.0 mm	5.7 mm
Chimney height	4.1 mm	4.1 mm	4.1 mm

HBN-BRA35-1

HBN-BRA41-1

HBN-BRA51-1

Elos Accurate® Hybrid Base H™ Non-Engaging

Titanium Hybrid Base for screw-retained bridge restorations.

Torque Value: 35 Ncm



Gingival height	0.3 mm
Margin diameter	4.4 mm
Chimney height	4.5 mm

HBN-BRA41H-1



COMPATIBLE TO:

Brånemark System

NP

RP

WP

Elos Prosthetic Screw

Prosthetic screw with M1.6, M2 and M2.5 thread

Screwdriver: Nobel Biocare Unigrip

Torque Value: 35 Ncm



AS-BRAM167POS



AS-BRAM207POS



AS-BRAM257POS

Elos Accurate® Hexalobular Prosthetic Screw

Prosthetic screw with M1.6, M2 and M2.5 thread

Screwdriver: PS-AH18-1, PS-AH26-1 or PS-AH34-1, see last pages.

Torque Value: 35 Ncm



AS-BRAM1607A-1



AS-BRAM2007A-1



AS-BRAM2507A-1



COMPATIBLE TO:

Nobel Biocare® Multi-Unit Abutment

NR/RP

WP

Elos Accurate® Scan Body

Material: Titanium seating and PEEK in scanning area for optimal scanning results without spraying.

Screwdriver: C18512, C13485 or C13048. *See last pages.*

Torque Value: Hand-torque until stable. No more than 5 Ncm.



IO 2C-A



IO 2C-B

Elos Accurate® Analog for Printed Models

1-piece analog for printed model.

Analog tools: PMA-AIT-1, PMA-AIP-2 and PMA-AIS-5. *See last pages.*



PMA-MUA45-1



PMA-MUA60-1

Elos Accurate® Model Analog

1-piece analog for printed, milled or plaster model.

Analog tool: AT-14-1 for NP/RP and AT-18-1 for WP. *See last pages.*



MA-MUA45-1



MA-MUA60-1

Elos Accurate® Hybrid Base™ Non-Engaging

Titanium Hybrid Base for screw-retained bridge restorations.

Torque Value: 15 Ncm



Gingival height	0.9 mm	1.2 mm
Margin diameter	5.0 mm	5.7 mm
Chimney height	4.1 mm	4.1 mm

HBN-MUA45-1

HBN-MUA60-1

Elos Accurate® Hybrid Base H™ Non-Engaging

Titanium Hybrid Base for screw-retained bridge restorations.

Torque Value: 15 Ncm



Gingival height	0.3 mm
Margin diameter	5.0 mm
Chimney height	4.5 mm

HBN-MUA45H-1

Elos Accurate® Hexalobular Prosthetic Screw

Prosthetic screw with M1.4 and M2 thread.

Screwdriver: Nobel Biocare® Unigrip

Torque Value: 15 Ncm



AS-MUAM1403POS



AS-MUAM1804POS

Elos Accurate® Hexalobular Prosthetic Screw

Prosthetic screw with M1.4 and M2 thread

Screwdriver: PS-AH18-1, PS-AH26-1 or PS-AH34-1, *see last pages.*

Torque Value: 15 Ncm



AS-MUAM1403A-1



AS-MUAM1804A-1



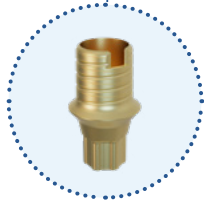
Must be mounted with Elos Prosthetic Screw or Elos Accurate Hexalobular Prosthetic Screw

Nobel Conical Connection and NobelActive®



Scanning for a single crown

IO 2B-B SA



HBE-NBA30-1



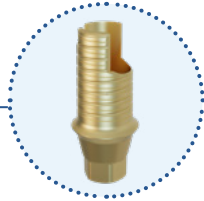
HBE-NBA35-1



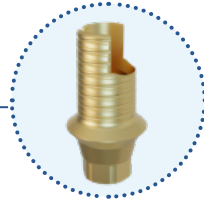
HBE-NBA43-1



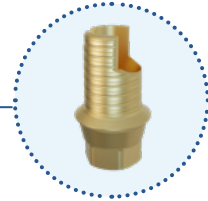
HBE-NBA60-1



HBE-NBA35H-1



HBE-NBA43/50H-1



HBE-NBA60H-1



Scanning for a bridge

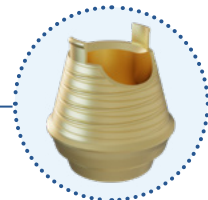
IO 2B-B



HBN-NBA35-1



HBN-NBA43-1



HBN-NBA60-1



HBN-NBA35H-1



HBN-NBA43/50H-1

COMPATIBLE TO:

Nobel Conical Connection and NobelActive®

3.0

3.5/3.75 NP

4.3/5.0 RP

5.5 WP

Elos Accurate® Scan Body

Material: Titanium seating and PEEK in scanning area for optimal scanning results without spraying.

Screwdriver: C18512, C13485 or C13048. *See last pages.*

Torque Value: Hand-torque until stable. No more than 5 Ncm.



IO 2B-D
IO 2B-D SA



IO 2B-A
IO 2B-A SA



IO 2B-B
IO 2B-B SA



IO 2B-C
IO 2B-C SA

Elos Accurate® Analog for Printed Models

1-piece analog for printed model.

Analog tools: PMA-AIT-1, PMA-AIP-2 and PMA-AIS-5. *See last pages.*



PMA-NBA30-1



PMA-NBA35-1



PMA-NBA43-1



PMA-NBA60-1

Elos Accurate® Model Analog

1-piece analog for printed, milled or plaster model.

Analog tool: Ø3.0: AT-14-1, NP: AT-16-1, RP AND WP: AT-20-1.

See last pages.



MA-NBA30-1



MA-NBA35-1



MA-NBA43-1



MA-NBA60-1

Elos Accurate® Hybrid Base™ Engaging

Titanium Hybrid Base for screw-retained single restorations and cement-retained single and bridge restorations.

Torque Value:

Ø3.0: 15 Ncm, NP, RP, WP: 35 Ncm



HBE-NBA30-1



HBE-NBA35-1



HBE-NBA43-1



HBE-NBA60-1

Gingival height	0.5 mm	0.9 mm	0.9 mm	0.7 mm
Margin diameter	3.4 mm	3.7 mm	4.5 mm	4.5 mm
Chimney height	3.0 mm	3.0 mm	3.0 mm	3.0 mm

Elos Accurate® Hybrid Base H™ Engaging

Titanium Hybrid Base for screw-retained single restorations and cement-retained single and bridge restorations.

Torque Value:

Ø3.0: 15 Ncm, NP, RP, WP: 35 Ncm



HBE-NBA35H-1



HBE-NBA43/50H-1



HBE-NBA60H-1

Gingival height	0.9 mm	0.9 mm	0.7 mm
Margin diameter	3.7 mm	4.5 mm	5.0 mm
Chimney height	5.5 mm	5.5 mm	5.5 mm

Elos Accurate® Hybrid Base™ Non-Engaging

Titanium Hybrid Base screw for screw-retained bridge restorations.

Torque Value: 35 Ncm



HBN-NBA35-1



HBN-NBA43/50-1



HBN-NBA60-1

Gingival height	1.8 mm	1.0 mm	1.0 mm
Margin diameter	5.0 mm	5.0 mm	5.7 mm
Chimney height	4.1 mm	4.1 mm	4.1 mm

Elos Accurate® Hybrid Base H™ Non-Engaging

Titanium Hybrid Base screw for screw-retained bridge restorations.

Torque Value: 35 Ncm



HBN-NBA35H-1



HBN-NBA43/50H-1

Gingival height	0.3 mm	0.3 mm
Margin diameter	3.6 mm	4.2 mm
Chimney height	5.0 mm	5.0 mm



Must be mounted with Elos Prosthetic Screw or Elos Accurate Hexalobular Prosthetic Screw

COMPATIBLE TO:

Nobel Conical Connection and NobelActive®

3.0

3.5/3.75 NP

4.3/5.0 RP

5.5 WP

Elos Prosthetic Screw

Prosthetic screw with M1.4, M1.6 and M2 thread

Screwdriver: Nobel Biocare Unigrip

Torque Value:

Ø3.0: 15 Ncm,
all other 35 Ncm



AS-NBAM1407POS



AS-NBAM168POS



AS-NBAM207POS



AS-NBAM207POS

Elos Accurate® Hexalobular Prosthetic Screw

Prosthetic screw with M1.4, M1.6 and M2 thread

Screwdriver: PS-AH18-1, PS-AH26-1 or PS-AH34-1, see last pages.

Torque Value:

Ø3.0: 15 Ncm,
all other 35 Ncm



AS-NBAM1407A-1



AS-NBAM1608A-1



AS-NBAM2007A-1



AS-NBAM2007A-1

COMPATIBLE TO:

NobelReplace and Replace Select™

3.5 NP

4.3 RP

5.0 WP

6.0

Elos Accurate® Scan Body

Material: Titanium seating and PEEK in scanning area for optimal scanning results without spraying.

Screwdriver: C18512, C13485 or C13048. *See last pages.*

Torque Value: Hand-torque until stable. No more than 5 Ncm.



IO 2A-A



IO 2A-B



IO 2A-C



IO 2A-D

Elos Accurate® Analog for Printed Models

1-piece analog for printed model.

Analog tools: PMA-AIT-1, PMA-AIP-2 and PMA-AIS-5. *See last pages.*



PMA-NBR35-1



PMA-NBR43-1



PMA-NBR50-1



MA-NBR60-1

Elos Accurate® Model Analog

1-piece analog for printed, milled or plaster model.

Analog tool: AT-18-1 for NP and AT-20-1 for all others. *See last pages.*



MA-NBR35-1



MA-NBR43-1



MA-NBR50-1



MA-NBR60-1

Elos Accurate® Hybrid Base™ Engaging

Titanium Hybrid Base for screw-retained single restorations and cement-retained single and bridge restorations.

Torque Value: 35 Ncm



HBE-NBR35-1



HBE-NBR43-1



HBE-NBR50-1



HBE-NBR60-1

Gingival height	0.5 mm	0.1 mm	0.2 mm	0.4 mm
Margin diameter	4.5 mm	4.5 mm	5.0 mm	6.0 mm
Chimney height	3.0 mm	3.0 mm	3.0 mm	3.0 mm

Elos Accurate® Hybrid Base H™ Engaging

Titanium Hybrid Base for screw-retained single restorations and cement-retained single and bridge restorations.

Torque Value: 35 Ncm



HBE-NBR35H-1



HBE-NBR43H-1

Gingival height	0.5 mm	0.1 mm
Margin diameter	4.5 mm	4.5 mm
Chimney height	5.5 mm	5.5 mm

Elos Accurate® Hybrid Base™ Non-Engaging

Titanium Hybrid Base for screw-retained bridge restorations.

Torque Value: 35 Ncm



HBN-NBR35-1



HBN-NBR43-1



HBN-NBR50-1



HBN-NBR60-1

Gingival height	1.0 mm	0.6 mm	0.6 mm	0.8 mm
Margin diameter	5.0 mm	5.0 mm	5.7 mm	7.0 mm
Chimney height	4.1 mm	4.1 mm	4.1 mm	4.1 mm

Elos Accurate® Hybrid Base H™ Non-Engaging

Titanium Hybrid Base for screw-retained bridge restorations.

Torque Value: 35 Ncm



HBN-NBR35H-1



HBN-NBR43H-1

Gingival height	0.3 mm	0.3 mm
Margin diameter	3.7 mm	4.5 mm
Chimney height	5.5 mm	5.5 mm



Must be mounted with Elos Prosthetic Screw or Elos Accurate Hexalobular Prosthetic Screw

COMPATIBLE TO:

NobelReplace® and Replace Select™

3.5 NP

4.3 RP

5.0 WP

6.0

Elos Prosthetic Screw

Prosthetic screw with M1.8 and M2 thread

Screwdriver: Nobel Biocare® Unigrip**Torque Value:** 35 Ncm

AS-NBRM1808POS



AS-NBRM2010POS



AS-NBRM2010POS



AS-NBRM2010POS

Elos Accurate® Hexalobular Prosthetic Screw

Prosthetic screw with M1.8 and M2 thread

Screwdriver: PS-AH18-1, PS-AH26-1 or PS-AH34-1, see last pages.**Torque Value:** 35 Ncm

AS-NBRM1808A-1



AS-NBRM2010A-1



AS-NBRM2010A-1



AS-NBRM2010A-1

COMPATIBLE TO:

Straumann® Bone Level

3.3 NC

4.1 / 4.8 RC

Elos Accurate® Scan Body

Material: Titanium seating and PEEK in scanning area for optimal scanning results without spraying.

Screwdriver: C18512, C13485 or C13048. *See last pages.*

Torque Value: Hand-torque until stable. No more than 5 Ncm.

Previously marked with SA and RC, used to be green.



IO 4A-A



IO 4A-B

Elos Accurate® Analog for Printed Models

1-piece analog for printed model.

Analog tools: PMA-AIT-1, PMA-AIP-2 and PMA-AIS-5. *See last pages.*



PMA-SBO33-1



PMA-SBO41-1

Elos Accurate® Hybrid Base™ Engaging

Titanium Hybrid Base for screw-retained single restorations and cement-retained single and bridge restorations.

Torque Value: 35 Ncm



Gingival height	0.3 mm	0.3 mm
Margin diameter	3.5 mm	4.1 mm
Chimney height	3.0 mm	3.0 mm

HBE-SBO33-1

HBE-SBO41/48-1

Elos Accurate® Hybrid Base H™ Engaging

Titanium Hybrid Base for screw-retained single restorations and cement-retained single and bridge restorations.

Torque Value: 35 Ncm



Gingival height	0.3 mm	0.3 mm
Margin diameter	3.5 mm	4.1 mm
Chimney height	5.5 mm	5.5 mm

HBE-SBO33H-1

HBE-SBO41/48H-1

Elos Accurate® Hybrid Base™ Non-Engaging

Titanium Hybrid Base for screw-retained bridge restorations.

Torque Value: 35 Ncm



Gingival height	1.7 mm	1.3 mm
Margin diameter	5.0 mm	5.0 mm
Chimney height	4.1 mm	4.1 mm

HBN-SBO33-1

HBN-SBO41/48-1

Elos Prosthetic Screw

Prosthetic screw with M1.6 thread

Screwdriver: SCS screwdriver

Torque Value: 35 Ncm



AS-SBOM1608POS



AS-SBOM1608POS

Elos Accurate® Hexalobular Prosthetic Screw

Prosthetic screw with M1.6 thread

Screwdriver: PS-AH18-1, PS-AH26-1 or PS-AH34-1, *see last pages.*

Torque Value: 35 Ncm



AS-SBOM1608A-1



AS-SBOM1608A-1



Must be mounted with Elos Prosthetic Screw or Elos Accurate Hexalobular Prosthetic Screw

COMPATIBLE TO:

Straumann® Screw-Retained Abutment

3.5

4.6

Elos Accurate® Scan Body

Material: Titanium seating and PEEK in scanning area for optimal scanning results without spraying.

Screwdriver: C18512, C13485 or C13048. *See last pages.*

Torque Value: Hand-torque until stable. No more than 5 Ncm.



IO 4D-A



IO 4D-B

Elos Accurate® Analog for Printed Models

1-piece analog for printed model.

Analog tools: PMA-AIT-1, PMA-AIP-2 and PMA-AIS-5. *See last pages.*



PMA-SSA35-1



PMA-SSA46-1

Elos Accurate® Model Analog

1-piece analog for printed, milled or plaster model.

Analog tool: AT-14-1, *see last pages*



MA-SSA35-1



MA-SSA46-1

Elos Accurate® Hybrid Base™ Non-Engaging

Titanium Hybrid Base for screw-retained bridge restorations.

Torque Value: 15 Ncm



Gingival height	1.0 mm	0.9 mm
Margin diameter	5.0 mm	5.0 mm
Chimney height	4.1 mm	4.1 mm

HBN-SSA35-1

HBN-SSA46-1

Elos Accurate® Hybrid Base H™ Non-Engaging

Titanium Hybrid Base for screw-retained bridge restorations.

Torque Value: 35 Ncm



Gingival height	4.1 mm	4.1 mm
Margin diameter	3.8 mm	4.8 mm
Chimney height	4.5 mm	4.5 mm

HBN-SSA35H-1

HBN-SSA46H-1

Elos Accurate® Hexalobular Prosthetic Screw

Prosthetic screw with M1.4 thread

Screwdriver: PS-AH18-1, PS-AH26-1 or PS-AH34-1, *see last pages.*

Torque Value: 15 Ncm



AS-SSAM1404A-1

AS-SSAM1404A-1



COMPATIBLE TO:

Straumann® Standard and Standard Plus

NNC

4.8 RN

6.5 WN

Elos Accurate® Scan Body

Material: Titanium seating and PEEK in scanning area for optimal scanning results without spraying.

Screwdriver: C18512, C13485 or C13048. *See last pages.*

Torque Value: Hand-torque until stable. No more than 5 Ncm.



IO 4C-A

IO 4B-A

IO 4B-B

Elos Accurate® Analog for Printed Models

1-piece analog for printed model.

Analog tools: PMA-AIT-1, PMA-AIP-2 and PMA-AIS-5. *See last pages.*



PMA-SSY48-1

PMA-SSY65-1

Elos Accurate® Model Analog

1-piece analog for printed, milled or plaster model.

Analog tool: AT-20-1, *see last pages.*

MA-SSY65-1 was previously anodized in green color



MA-SSY48-1

Elos Accurate® Hybrid Base™ Engaging

Titanium Hybrid Base for screw-retained single restorations and cement-retained single and bridge restorations.

Torque Value: 35 Ncm



Gingival height	0.4 mm	0.5 mm
Margin diameter	4.5 mm	7.0 mm
Chimney height	3.0 mm	3.0 mm
	HBE-SSY48-1	HBE-SSY65-1

Elos Accurate® Hybrid Base H™ Engaging

Titanium Hybrid Base for screw-retained single restorations and cement-retained single and bridge restorations.

Torque Value: 35 Ncm



Gingival height	0.45 mm	0.45 mm
Margin diameter	5.0 mm	7.0 mm
Chimney height	4.5 mm	4.5 mm
	HBE-SSY48H-1	HBE-SSY65H-1

Elos Accurate® Hybrid Base™ Non-Engaging

Titanium Hybrid Base for screw-retained bridge restorations.

Torque Value: 35 Ncm



Gingival height	0.3 mm	0.6 mm
Margin diameter	5.7 mm	6.5 mm
Chimney height	4.1 mm	4.1 mm
	HBN-SSY48-1	HBN-SSY65-1

Elos Accurate® Hybrid Base H™ Non-Engaging

Titanium Hybrid Base for screw-retained bridge restorations.

Torque Value: 35 Ncm



Gingival height	0.3 mm
Margin diameter	5.3 mm
Chimney height	4.5 mm
	HBN-SSY48H-1



Must be mounted with Elos Prosthetic Screw or Elos Accurate Hexalobular Prosthetic Screw

COMPATIBLE TO:


Straumann® Standard and Standard Plus

4.8 RN

6.5 WN

Elos Prosthetic Screw

Prosthetic screw with M2 thread


Screwdriver: SCS screwdriver 
Torque Value: 35 Ncm


AS-SSYM207POS

AS-SSYM207POS

Elos Accurate® Hexalobular Prosthetic Screw

Prosthetic screw with M2 thread

Screwdriver: PS-AH18-1,
PS-AH26-1 or PS-AH34-1,
see last pages.
Torque Value: 35 Ncm 


AS-SSYM2007A-1

AS-SSYM2007A-1

COMPATIBLE TO:

Certain® Internal Connection

Elos Accurate® Scan Body

Material: Titanium seating and PEEK in scanning area for optimal scanning results without spraying.

Screwdriver: C18512, C13485 or C13048. *See last pages.*

Torque Value: Hand-torque until stable. No more than 5 Ncm.

3.4



IO 7B-A

4.1



IO 7B-B

5.0



IO 7B-B

6.0



IO 7B-B

Elos Accurate® Analog for Printed Models

1-piece analog for printed model.

Analog tools: PMA-AIT-1, PMA-AIP-2 and PMA-AIS-5. *See last pages.*



PMA-BCE34-1



PMA-BCE41-1



PMA-BCE50-1



PMA-BCE60-1

Elos Accurate® Model Analog

1-piece analog for printed, milled or plaster model.

Analog tool: AT-16-1, *see last pages.*



MA-BCE34-1



MA-BCE41-1



MA-BCE50-1



MA-BCE60-1

Elos Accurate® Hybrid Base™ Engaging

Titanium Hybrid Base for screw-retained single restorations and cement-retained single and bridge restorations.

Torque Value: 20 Ncm



HBE-BCE34-1



HBE-BCE41-1



HBE-BCE50-1



HBE-BCE60-1

Gingival height	0.4 mm	0.4 mm	0.4 mm	0.4 mm
Margin diameter	3.1 mm	3.4 mm	5.0 mm	6.0 mm
Chimney height	3.0 mm	3.0 mm	3.0 mm	3.0 mm

Elos Prosthetic Screw

Prosthetic screw with M1.6 thread

Screwdriver: 0.050" (1.25 mm) Hex screwdriver

Torque Value: 20 Ncm



AS-BCEM168POS



AS-BCEM168POS



AS-BCEM168POS



AS-BCEM168POS

Elos Accurate® Hexalobular Prosthetic Screw

Prosthetic screw with M1.6 thread

Screwdriver: PS-AH18-1, PS-AH26-1 or PS-AH34-1, *see last pages.*

Torque Value: 20 Ncm



AS-BCEM1608A-1



AS-BCEM1608A-1



AS-BCEM1608A-1



AS-BCEM1608A-1



Must be mounted with Elos Prosthetic Screw or Elos Accurate Hexalobular Prosthetic Screw

COMPATIBLE TO:

External Hex Connection

Elos Accurate® Scan Body

Material: Titanium seating and PEEK in scanning area for optimal scanning results without spraying.

Screwdriver: C18512, C13485 or C13048. *See last pages.*

Torque Value: Hand-torque until stable. No more than 5 Ncm.

3.4



IO 7A-A

4.1



IO 7A-B

5.0



IO 7A-B

6.0



IO 7A-B

Elos Accurate® Analog for Printed Models

1-piece analog for printed model.

Analog tools: PMA-AIT-1, PMA-AIP-2 and PMA-AIS-5. *See last pages.*



PMA-BEH34-1



PMA-BEH41-1



PMA-BEH50-1



PMA-BEH60-1

Elos Accurate® Model Analog

1-piece analog for printed, milled or plaster model.

Analog tool: AT-20-1, *see last pages.*



MA-BEH34-1



MA-BEH41-1



MA-BEH50-1



MA-BEH60-1

COMPATIBLE TO:

Tapered Screw-Vent® Implant System

Elos Accurate® Scan Body

Material: Titanium seating and PEEK in scanning area for optimal scanning results without spraying.

Screwdriver: C18512, C13485 or C13048. *See last pages.*

Torque Value: Hand-torque until stable. No more than 5 Ncm.

3.5



IO 5A-A

4.5



IO 5A-B

5.7



IO 5A-C

Elos Accurate® Analog for Printed Models

1-piece analog for printed model.

Analog tools: PMA-AIT-1, PMA-AIP-2 and PMA-AIS-5. *See last pages.*



PMA-ZSV35-1



PMA-ZSV45-1



PMA-ZSV57-1

Elos Accurate® Model Analog

1-piece analog for printed, milled or plaster model.

Analog tool: AT-18-1, *see last pages.*



MA-ZSV35-1



MA-ZSV45-1



MA-ZSV57-1

Elos Accurate® Hybrid Base™ Engaging

Titanium Hybrid Base for screw-retained single restorations and cement-retained single and bridge restorations.

Torque Value: 30 Ncm



Gingival height	0.6 mm	0.4 mm	0.3 mm
Margin diameter	4.5 mm	5.0 mm	6.0 mm
Chimney height	3.0 mm	3.0 mm	3.0 mm

HBE-ZSV35-1

HBE-ZSV45-1

HBE-ZSV57-1

Elos Accurate® Hybrid Base™ Non-Engaging

Titanium Hybrid Base for screw-retained bridge restorations.

Torque Value: 30 Ncm



Gingival height	0.9 mm	0.5 mm	0.4 mm
Margin diameter	5.0 mm	5.0 mm	6.0 mm
Chimney height	3.0 mm	3.0 mm	3.0 mm

HBN-ZSV35-1

HBN-ZSV45-1

HBN-ZSV57-1

Elos Prosthetic Screw

Prosthetic screw with M1.8 thread

Screwdriver: 1.25 mm Hex screwdriver

Torque Value: 30 Ncm



AS-ZSVM1808POS



AS-ZSVM1808POS



AS-ZSVM1808POS

Elos Accurate® Hexalobular Prosthetic Screw

Prosthetic screw with M1.8 thread

Screwdriver: PS-AH18-1, PS-AH26-1 or PS-AH34-1, *see last pages.*

Torque Value: 30 Ncm



AS-ZSVM1808A



AS-ZSVM1808A



AS-ZSVM1808A



Must be mounted with Elos Prosthetic Screw or Elos Accurate Hexalobular Prosthetic Screw

Elos Accurate® Scan Body Kit

For the major implant systems, we offer IO Scanbody kits containing all implant platforms available for the system. The IO Scanbodies are delivered in a practical box with clear markings for your convenience.



Elos Accurate® Brånemark® Kit

In the box

2 ea., NP + RP + WP



IO 6A KIT

Elos Accurate® Nobel Biocare® Conical Connection SA Kit

In the box

2 ea., 3.0 + 3.5NP + 4.3/5.0RP + 5.5WP



IO 2B SA KIT

Elos Accurate® Nobel Biocare® Conical Connection Kit

In the box

2 ea., 3.0 + 3.5NP + 4.3/5.0RP + 5.5WP



IO 2B KIT

Elos Accurate® Nobel Biocare® Multi-Unit Kit (MUA)

In the box

2 ea., NP/RP + WP



IO 2C KIT

Elos Accurate® Nobel Replace® Kit

In the box

2 ea., NP + RP + WP + 6.0



IO 2A KIT

Elos Accurate® Instruments

Elos Accurate® Scan Body Driver

Material: Stainless Steel

Torque Value: Hand-torque until stable. Maximum 5 Ncm



Elos Accurate® Analog Pliers

Material: Stainless Steel and Titanium

To be used when placing Elos Accurate Analog for Printed Models, article numbers starting with PMA.



Elos Accurate® Analog Insertion Pin

Material: Stainless Steel

To be used when placing Elos Accurate Analog for Printed Models, article numbers starting with PMA.



Elos Accurate® Analog Insertion Screw

Material: Stainless Steel

Optional product for extra safety after placing Elos Accurate Analog for Printed Models, article numbers starting with PMA.



Elos Accurate® Analog Tool

Elos Accurate Analog Tools have different diameters depending on the size of the model analog. Information about which Analog Tool is suitable can be found on each Model Analog information page.

To be used with Elos Accurate Model Analog, article numbers starting with MA






Elos Accurate® Instruments

Elos Accurate® Prosthetic Screwdriver

Material: Stainless Steel

Hexalobular screwdriver with RA connection




To be used when placing Elos Accurate Hybrid Base Bridge constructions.

			
Length	18 mm	26 mm	34 mm
	PS-AH18-1	PS-AH26-1	PS-AH34-1

Elos Driver

Connection: RA

Handle for Elos Accurate® Prosthetic Screwdriver.
Can be used with Elos Accurate® Torque Control

			
Length	16.5 mm	11.2 mm	80 mm
	C8381	C8382	C8830

Torque wrench

The Elos Torque Wrench is the perfect tool for implant surgery and prosthetic procedure. Accurate, easy to clean and versatile.

A few facts

- The TW-45-1 and TW-70-1 are sold without drivers
- They both contain a high-precision indicator with visible and clear laser markings
- Fast cleaning - only 2 components to clean
- Same driver for all Elos' torque wrenches

TW-45-1



Ncm



TW-70-1



Ncm



DRIVERS FOR ELOS TORQUE WRENCHES



C8381



C8382

RA | CONNECTION: ISO 1797

Handle used for applying torque up to 50 Ncm. Mainly for **prosthetic** use.



C8521



C8522

4 X 4 | CONNECTION: 4 X 4

Handle used for applying torque up to 150 Ncm. Mainly for **surgical** use.



C9271



C9141

CA | CONNECTION: ISO 17509

Handle used for applying torque up to 90 Ncm. Mainly for **surgical** use.



C9509



C9511

DOUBLE 4 X 4 | CONNECTION: DOUBLE 4 X 4

Handle used for applying torque up to 150 Ncm. Mainly for **surgical** use.



C11572

HEX | CONNECTION: 6.35MM HEX

Handle used for applying torque up to 150 Ncm. Mainly for **surgical** use.

The Elos Medtech Story

Elos Medtech has been manufacturing dental implants and components for longer than most companies. Dentists learn that Prof. Brånemark first achieved successful osseointegration using titanium dental implants in Sweden during the 1950s and 60s. When Dr. Brånemark needed to manufacture his prototypes for the modern dental implants, he turned to Elos Medtech in Sweden.

Initially, Elos Medtech was solely a subcontractor for major dental implant companies, but since 2000 we began to identify ways to offer even more value to our customers. Having decades of know-how with dental implants and witnessing the beginning of the era of digital dentistry, we began to focus on developing products outside of our customers' core business and expertise.

In 2010, together with the digital dentistry market leader 3Shape, we developed and introduced the original PEEK scan body made with a titanium interface. This new design combined the scannability of PEEK and the durability of titanium. Today this design is the gold standard for scan bodies – copied all over the world. Additionally, Elos Medtech was the first company to introduce a high-precision scan body that allowed for the digitalization of implant restorations. Based on this innovative design we entered into partnerships with premium, global implant brands that today use the Elos Accurate Scan Body in their libraries and workflows.

Elos Medtech also developed pre-milled abutments (prefabricated blanks) for making customized abutments, and later analogs for printed models. Our philosophy has always been to develop best-in-class products using innovative ideas and designs, rather than copying what is already on the market.

This innovative spirit has led to our patented design for our Elos Accurate Analog for Printed models. With this new design we overcome many of the challenges that arise from the inaccuracies found in today's 3D-printers. These analogs for printed models have also become the trusted solution for global implant companies.

Additionally, Elos Accurate Hybrid Bases (Ti-bases) were designed from scratch taking human biology and material characteristics into account. Rather than having sharp angles or compromising the thickness of the zirconia crown, we carefully examined the implant with respect to soft tissue management and pioneered a new anatomical design. Our hybrid base has been adapted as the authentic solution for some of the leading implant companies.

In short, we have created a portfolio that has allowed us to partner with top implant companies around the world. We are a trusted partner because of the precision and quality of the parts we manufacture.

www.elosdental.com

Follow us on social media



Elos Medtech • Engvej 33 • DK-3330 Gorlose • Denmark
+45 48 21 64 00 • dentalsupport@elosmedtech.com • www.elosdental.com

We reserve the right to change misprints.
All trademarks are the property of the respective owners.

Disclaimer of liability: Elos Medtech products may only be used according to the instructions for use. The user of Elos Medtech products should determine their suitability for particular patients and indications. Elos Medtech disclaims any liability, expressed or implied, and shall have no responsibility for any direct, indirect, punitive or damages arising out of or in connection with any errors in professional judgement or practice in the use or placement of Elos Medtech products.